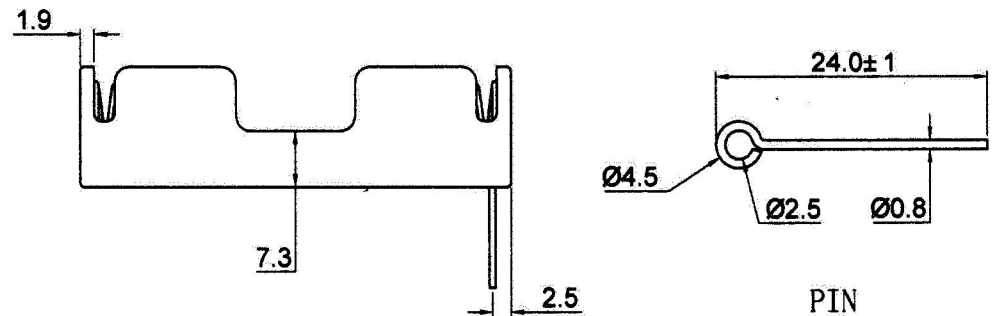
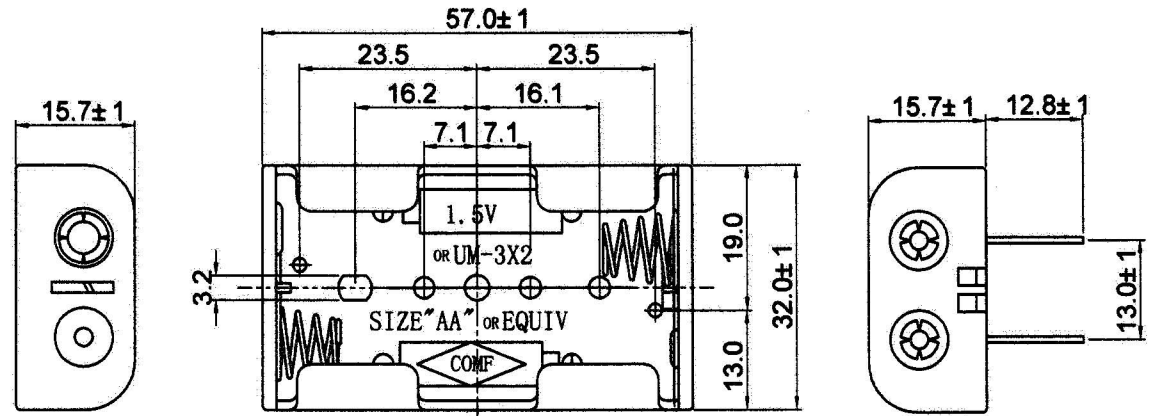



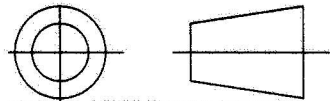
PCB/MOUNTING LAYOUT



PIN

SPECIFICATION

- (1) ITEM NO: BH-321-1P₂₄
- (2) MATERIAL: P. P. RESIN, BLACK COLOR
- (3) WITH PIN: Ø0.8X24MM, BRASS NICKEL PLATED
- (4) SPRING: 0.6MM 65C SPRING STEEL
NICKEL PLATED
- (5) RIVET: BRASS NICKEL PLATED
- (6) RoHS COMPLIANT

3			 COMFORTABLE ELECTRONIC CO.LTD.																				
2																							
1			<table border="1"> <tr> <td>NAME</td> <td colspan="3">BATTERY HOLDER :BH-321-1P₂₄</td> </tr> <tr> <td>SCALE</td> <td>1:1</td> <td>APPD</td> <td></td> </tr> <tr> <td>UNIT</td> <td>MM</td> <td>CHKD</td> <td></td> </tr> <tr> <td>MAT'L</td> <td>AS SPEC.</td> <td>DWN</td> <td></td> </tr> <tr> <td>DATE</td> <td>SEP. 30. 2008</td> <td>DR NO</td> <td>3211P₂₄-0908</td> </tr> </table>	NAME	BATTERY HOLDER :BH-321-1P ₂₄			SCALE	1:1	APPD		UNIT	MM	CHKD		MAT'L	AS SPEC.	DWN		DATE	SEP. 30. 2008	DR NO	3211P ₂₄ -0908
NAME	BATTERY HOLDER :BH-321-1P ₂₄																						
SCALE	1:1	APPD																					
UNIT	MM	CHKD																					
MAT'L	AS SPEC.	DWN																					
DATE	SEP. 30. 2008	DR NO	3211P ₂₄ -0908																				
NO.	MODIFICATION	DATE																					
 <p>THIRD ANGLE PROJECTION</p>																							